

TRIMMER

NOVA



INSTRUCTIONS FOR USE

PROFESSIONAL
HORSE TRIMMER

LIVERYMAN 

LIVERYMAN.CO.UK

INSTRUCTION MANUAL FOR NOVA TRIMMER

IMPORTANT SAFETY INSTRUCTIONS

Original Instructions

Read all instructions before using this appliance

Please Note: A copy of these instructions can be downloaded by visiting our website at www.liveryman.co.uk

This appliance is designed to be used in commercial areas.

DANGER: To reduce the risk of electric shock: Do not reach for an appliance that has fallen into water. Unplug immediately from receptacle. Unplug this appliance before cleaning.

WARNING: To reduce the risks of burns, fire, electric shock, or injury to persons: Close supervision is required when this appliance is used by, on, or near children, or persons with limited physical, sensory, or mental capabilities or invalids. Use this appliance only for its intended use as describe in this manual. Do not use attachments not specified by the manufacturer. Never operate this appliance when it has a damaged cord or plug, when it is not working properly, after it has been dropped or damaged, or after it has been dropped into water. Return the appliance to a service centre for examination and repair.

WARNING: This appliance is intended for animal clipping and trimming purposes only. Use only on clean dry hair.

WARNING: During use, do not place or leave the appliance where it is expected to be: subject to damage by an animal, or exposed to weather.

WARNING: Cutting blades may become hot after prolonged use.

WARNING: For the purposes of recharging the battery, only use the detachable supply unit provided with this appliance. Charging must be carried out indoors and in a dry place.

- The appliance is not intended for use by persons (including children) with reduced physical, sensory or mental capabilities, or lack of experience and knowledge, unless they have been given supervision or instruction concerning use of the appliance by a person responsible for their safety.
- Children should be supervised to ensure that they do not play with the appliance.
- Animal trimmers can be used by children aged from 3 years under supervision.

- Animal trimmers can be used by children aged from 8 years and above and persons with reduced physical, sensory or mental capabilities or lack of experience and knowledge if they have been given supervision or instruction concerning use of the appliance in a safe way and understand the hazards involved.
- Children shall not play with the appliance.
- Cleaning and user maintenance shall not be made by children without supervision.
- Keep the cord away from heated surfaces. Do not pull, twist or wrap the cord.
- Do not use operate where aerosol (spray) products are being used or where oxygen is being administered.
- Always attach plug to appliance first, then to outlet. To disconnect, turn all controls to off position (e.g. “0”) then remove plug from outlet.
- This trimmer uses a chargeable lithium-ion battery. It must be disposed of in accordance with the local regulations, instead of together with other household refuse.

SAVE THESE INSTRUCTIONS

To ensure you achieve the best possible results from your trimmer, please read the following instructions carefully before use.

SPECIFICATION

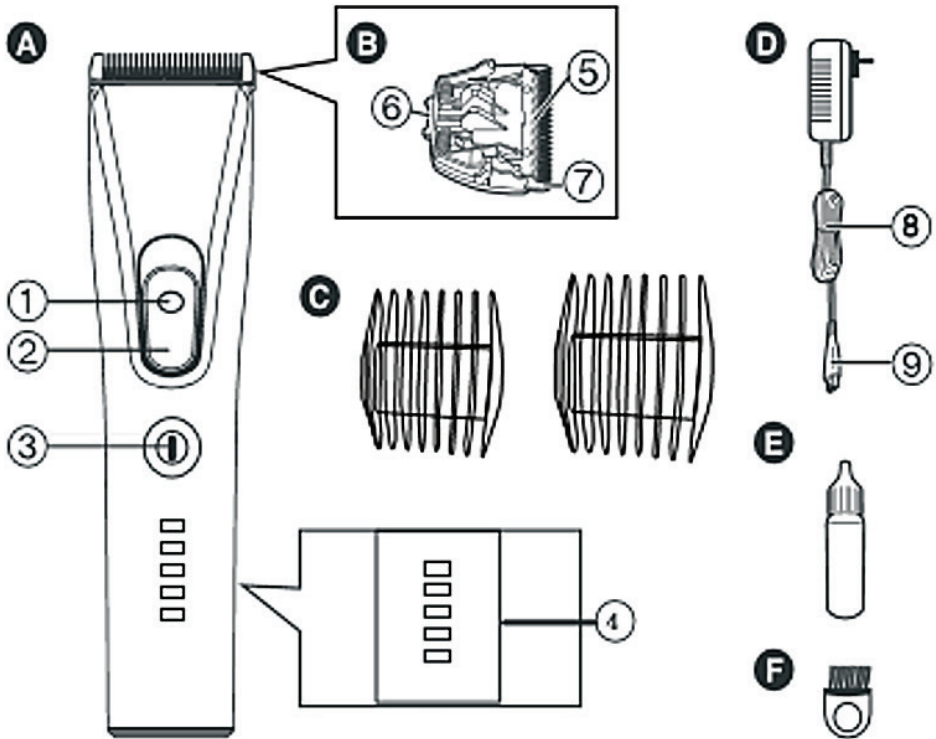
Charging time:	3 hours
Operation time:	6 hours
Blade width:	46 mm
Dimensions:	18 (H) x 4.6 (B) x 4.1 (D) cm
Weight:	220 grams
Replacement blade:	Ceramic moving blade and steel fixed blade.

- Use only with accessories included in the package or recommended by the manufacturer.
- Except when charging, always unplug from the electrical socket after use.
- Keep away from water.
- The charger adaptor must be kept dry at all times

Should the following situations occur, unplug and switch off immediately, and send for examination or repair:

1. The blade, main unit, power cord or attachment comb is damaged.
2. The trimmer or the adapter is dropped into water.
3. The trimmer is switched off, but the charging indicator does not light up when plugged into the power source.

The trimmer and accessories must be checked regularly for damage. If damage is detected, do not put the device into operation.



A. Trimmer body

1. Slide button
2. Slide lock
3. Power switch
4. LCD lights

B. Cutting head

5. Moving blade
6. Tab
7. Fixed blade

C. Guide Combs

D. Adaptor

8. Power cord
9. Power cord terminal

E. Lubricant

F. Cleaning brush

IMPORTANT NOTICE

BLADE

1. The blade must be lubricated before and after each use. This will maintain it in good condition and will extend its service life.
2. Non-stop usage for hours may cause overheating of blade, reducing the cutting performance and shorten their life. Should the blade overheat, switch the unit off for a few minutes to let it cool down and lubricate the blades.
3. Hair must be clean and dry before cutting. Foreign matter hidden in the hair may damage the blade edge.
4. Hair may gather in the inside of the blade housing during use. Too much stored hair will reduce the oscillating ability of the blades and cause malfunctioning. Always clean up hair in the blade housing before and after each use.
5. Avoid impact of the blade with hard objects as this may cause damage to the blade teeth.

BATTERY

1. Do not overcharge. It takes 3 hours to charge your trimmer. Charging over 36 hours may shorten the life of the battery.
2. The life of the battery will be shortened if the trimmer remains uncharged for long periods. Charge every 3 months of non-use to activate the battery.
3. It is normal for the adapter and the internal parts to become warm when charging.

OTHERS

1. Use and store the trimmer only at room temperature. Avoid direct sunlight, moisture or heated surfaces. Operating range 0 - 40 °C.
2. Do not attempt to unscrew any part of the trimmer.

OPERATING INSTRUCTIONS

CHARGING

1. Ensure the trimmer is switched off.
2. Insert the terminal of adapter cord into the bottom of the clipper.
3. Connect the adapter to the wall socket.
4. Check the charging indicator. The bars will flash while the trimmer is charging.
5. When the trimmer is fully charged, all 5 indicator bars will be lit.

Initial Charge: 24 hours (first charge only)

Recharge: 3 hours

Cordless Operation: 6 hours

BLADE ADJUSTMENT

The adjustment button is located at the front of the unit. Depress the button and slide the switch forward to select the desired cutting height.

CORD OPERATION

This trimmer can be operated by plugging it into the power source when the battery is not fully charged.

1. Ensure the trimmer is switched off.
2. Insert the terminal of adapter cord into the bottom of the clipper
3. Plug the adapter unit into a power outlet.
4. Check the charging indicator. The indicator should be lit.
5. Switch on to operate.

CAUTION

- Except for the purpose of charging, always switch off and unplug the adapter from the wall after use.
- Do not frequently use the trimmer plugged in without having recharged the battery, as this may reduce the life of the battery.
- Charge at room temperature between 5°C and 35°C.

BATTERY CONDITION INDICATOR



Normal Running Status



Remaining Battery Capacity



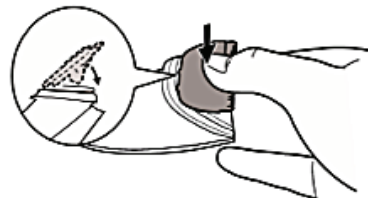
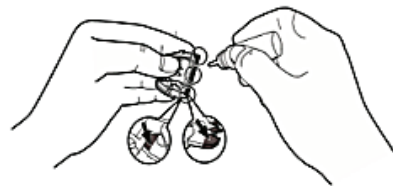
A flashing charging logo means the battery needs to be charged

MAINTENANCE

Always switch off before removing, replacing and cleaning the blade.

REMOVING AND CLEANING THE BLADE

1. Hold the clipper with the blades pointing upwards. Use the thumb to press down the cutting head and other hand to catch it.
2. Use the cleaning brush to remove the remaining hair and clean the cutting head.
3. Place a few drops of oil over the cutting blades as the picture shows.
4. Insert the tab at the end of the cutting head into the matching recess of the clipper and push up the cutting head until it snaps into place.



LUBRICATING THE BLADE

Lubricate both friction surfaces of the front cutting teeth and the hind supporting areas.

1. Hind supporting areas: Push the oscillating part to one side; lubricate the visible friction surface on the other side. Drop a small amount of oil on both sides.
2. Front cutting teeth: Drop a small amount of oil on the blade teeth and spread evenly. Slightly move the oscillating part to permeate the oil between the blades.

CLEANING THE MAIN BODY AND ACCESSORIES

1. Switch off and unplug the trimmer before cleaning.
2. Wipe with a soft dampened cloth.
3. Allow it to air-dry before use.

COMB ATTACHMENTS

You may adjust the cutting length from 3-12mm by attaching the comb attachment.

1. The cutting length is marked on the of comb attachments.
2. Select a suitable size and slide the blade into the comb attachment.

BLADE LIFE

The service life of the blade may be shortened in the following situations:

1. The blade has not been lubricated properly over a long period.
2. The blade cuts objects other than hair or unclean hair.
3. A foreign object damages the blade edge.
4. The blade is subjected to an impact.

If the cutting efficiency is reduced substantially despite proper maintenance, the blade has exceeded its service life and should be replaced.

The service life of the motor may be shortened in the following situations:

1. The trimmer is stored in humid surroundings for long periods.
2. The blade has not been lubricated properly.
3. Stored hair in the blade housing has not been cleaned properly.
4. An incorrect power source is used.

BATTERY LIFE

The service life of the battery may be shortened in the following situations:

1. The battery is stored in humid surroundings for long periods.
 2. The battery is over-charged.
 3. The battery is over depleted (when the battery is out of power, the trimmer is kept in the switched-on position for long periods).
 4. The trimmer is always used plugged in.
 5. The trimmer has not been charged for more than 6 months.
- When not in regular use, it is recommended to recharge the battery at least every 3 months.
 - If cordless operation lasts for less than 10 minutes, despite proper recharging, the battery has exceeded its service life and should be replaced.

OPERATIONAL HINTS

- The Liveryman Nova can be used to clip with or against the direction of the coat.
- For a closer clip use against the hair.
- For the best finish, guide the trimmer through the coat. Do not force the trimmer as this will cause an uneven cut, and the blades may jam.

EUROPEAN DIRECTIVES AND STANDARDS

The trimmers are manufactured to comply with the relevant European Directives and Standards.

2006/95/EC

LVD

2004/108/EC

EMC



EN60335-1 EN603355-2-8

2011/65/EU

ROHS

ENVIRONMENTAL DISPOSAL

It is the owner's responsibility to dispose of the trimmers in a reasonable manner after their useful life. Do not dispose of in household waste.

The trimmer can be returned to the place of purchase or Liveryman (Agrihealth Ltd) for recycling, or taken to your local authority waste disposal site.

WARRANTY REGISTRATION

Please visit our website to register your warranty.

www.liveryman.co.uk

You will require the products serial number which can be located on the underside of the trimmer and proof of purchase.

Whilst every care has been taken in the compiling of information within our instructions, Liveryman (Agrihealth Ltd) accepts no responsibility for any errors or omissions in technical data or other information as stated.

Model No: 159154

LIVERYMAN

— SINCE 1986 —

PROFESSIONAL CLIPPER & TRIMMER RANGE
LIVERYMAN.CO.UK

Find us on  @LiverymanClippers  @liveryman_